



Sand Trap Louver

STL-100

Sand Trap Louver with AMCA Seal

E.H.Price|Gulf certifies that the model shown hereon is licensed to bear the AMCA seal. The ratings shown are based on tests and procedures performed in accordance with AMCA Publication 511 and comply with the requirements of the AMCA Certified Ratings Program. The AMCA rating seal applies to Air Performance only.



STL-100

Sand Trap Louver

Sand Trap Louver is normally used as prefilter for fresh air intake of Air Handling Units (AHU), Package Air Conditioning Units (PACU), Roof Top Fresh Air Units (RTFAU) for Air Conditioning Systems and for Fresh Air Intake in manufacturing plants. It has a high degree of separation of sand and large dust particles even in case of high dust concentrations. The vertically arranged blade sections and holes for sand drainage ensure that the sand trap louver is self cleaning and maintenance free. It is designed to separate large particles of sand and dust from airstream at low velocities, thus avoiding excessive dust loading of conventional filters. It is not intended as a substitute for conventional filters.



CONSTRUCTION STANDARD

FRAME

- Extruded aluminum construction, Galvanized Steel or Stainless Steel.

BLADES

- Extruded aluminum construction, Galvanized Steel or Stainless Steel.

SCREEN

- Galvanized steel bird screen 12 x 12 x 1 mm fixed behind the blades.

MINIMUM SIZE

- 150 x 150 mm (6 in x 6 in) - Neck Size.

MAXIMUM SIZE

- 2500 x 1200 mm as single section (Neck Size).
- 2500 X 2500mm will be single module with 2 sections vertical blades and with sand chute between.

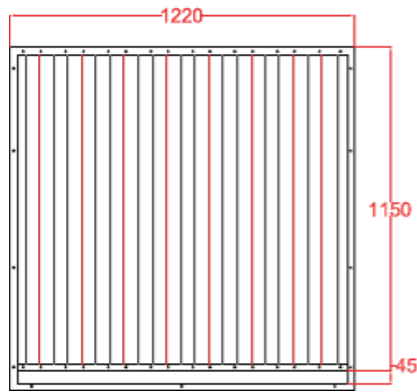
* Consult E.H.PricelGulf for multiple section assembly details.

STL-100

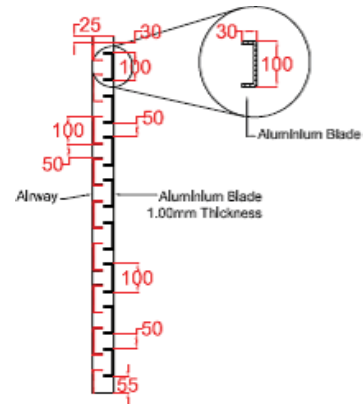
Sand Trap Louver

INTAKE

Rear View

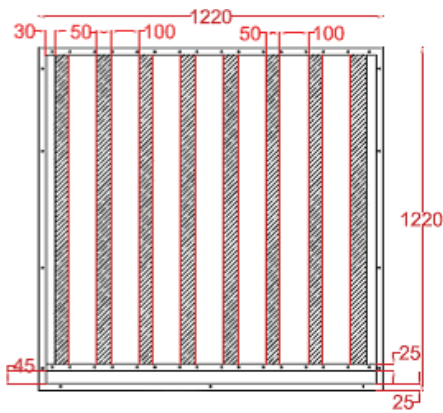


Top View

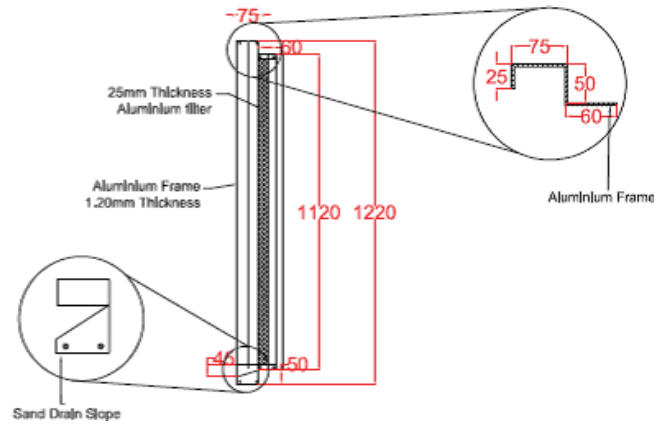


EXHAUST

Front View



Side View



Outer Frame Size (in.) W1 x H1	Neck Size (mm) W x H
406 x 406	300 x 300
508 x 508	400 x 400
610 x 610	500 x 500
711 x 711	600 x 600
813 x 813	700 x 700
914 x 914	800 x 800
1016 x 1016	900 x 900
1118 x 1118	1000 x 1000
1220 x 1220	1120 x 1120
1321 x 1321	1220 x 1220
1422 x 1422	1320 x 1320
1524 x 1524	1420 x 1420

Outer Frame Size (in.) W1 x H1	Neck Size (mm) W x H
1626 x 1624	1520 x 1520
1727 x 1727	1620 x 1620
1829 x 1829	1720 x 1720
1930 x 1930	1820 x 1820
2032 x 2032	1920 x 1920
2134 x 2134	2020 x 2020
2235 x 2235	2120 x 2120
2337 x 2337	2220 x 2220
2438 x 2438	2320 x 2320
2540 x 2540	2440 x 2440
2642 x 2642	2540 x 2540

FREE AREA CALCULATION CHART (METER SQUARE)

		OUTER FRAME WIDTH (W1 mm)															
		406	610	711	914	1016	1220	1321	1524	1626	1727	1930	2134	2235	2337	2540	2642
OUTER FRAME HEIGHT (H1 mm)	406	0.028	0.046	0.055	0.073	0.082	0.101	0.110	0.128	0.137	0.146	0.165	0.183	0.192	0.201	0.220	0.229
	610	0.044	0.074	0.089	0.118	0.133	0.162	0.177	0.206	0.221	0.236	0.265	0.295	0.310	0.324	0.354	0.369
	711	0.059	0.098	0.117	0.156	0.176	0.215	0.234	0.273	0.293	0.312	0.351	0.391	0.410	0.430	0.468	0.488
	914	0.073	0.122	0.147	0.195	0.220	0.269	0.293	0.342	0.366	0.390	0.439	0.488	0.512	0.537	0.586	0.610
	1016	0.089	0.148	0.177	0.236	0.266	0.325	0.354	0.413	0.443	0.472	0.531	0.590	0.619	0.649	0.708	0.737
	1220	0.106	0.177	0.212	0.283	0.318	0.389	0.424	0.495	0.530	0.565	0.636	0.707	0.742	0.777	0.848	0.883
	1321	0.119	0.199	0.238	0.317	0.357	0.437	0.476	0.555	0.595	0.635	0.714	0.793	0.833	0.872	0.952	0.991
	1524	0.125	0.209	0.250	0.333	0.375	0.459	0.500	0.583	0.625	0.666	0.746	0.833	0.874	0.916	0.999	1.041
	1626	0.138	0.231	0.276	0.368	0.414	0.506	0.552	0.644	0.690	0.735	0.827	0.919	0.965	1.011	1.103	1.149
	1727	0.153	0.256	0.306	0.408	0.459	0.562	0.612	0.714	0.765	0.816	0.918	1.020	1.071	1.122	1.224	1.275
	1930	0.184	0.306	0.367	0.488	0.550	0.672	0.733	0.854	0.916	0.976	1.098	1.220	1.281	1.342	1.464	1.525
	2134	0.185	0.308	0.369	0.492	0.554	0.677	0.738	0.861	0.922	0.984	1.106	1.230	1.291	1.352	1.475	1.537
	2235	0.199	0.332	0.398	0.530	0.596	0.729	0.795	0.927	0.993	1.059	1.191	1.324	1.390	1.456	1.588	1.655
	2337	0.213	0.355	0.425	0.567	0.638	0.780	0.850	0.991	1.062	1.132	1.274	1.416	1.486	1.557	1.698	1.769
	2540	0.238	0.397	0.475	0.633	0.713	0.871	0.950	1.108	1.187	1.266	1.424	1.582	1.661	1.740	1.898	1.978
	2642	0.247	0.412	0.493	0.657	0.739	0.904	0.985	1.149	1.231	1.313	1.477	1.641	1.723	1.805	1.969	2.051

NOTE: See table 1 for the equivalent neck size (W x H)

AIR PERFORMANCE

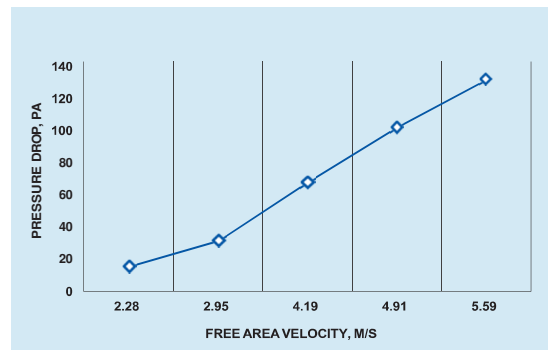
Tested in accordance with ANSI/AMCA 500-L, Figure 5.5 Test sample size is 1220 mm x 1220 mm (48 in. x 48 in.), Air performance data are based on intake performance.



Intake Direction

Pressure Drop Pa	Airflow Rate m ³ /s	Free Area Velocity m/s
16	0.89	2.28
32	1.15	2.95
69	1.63	4.19
103	1.91	4.91
133	2.13	5.59

Pressure Drop of Louver





Product Improvement is a continuing endeavour at Price. Therefore, specifications are subject to change without notice. Consult your Price Sales Representative for current specifications or more detailed information. Not all products may be available in all geographic areas. All goods described in this document are warranted as described in the Limited Warranty shown at priceindustries.com. The complete Price product catalog can be viewed online at priceindustries.com.

All copyrights reserved. E.H. Price | Gulf reserves the right to make changes without prior notice.
www.ehpricegulf.com | Ref: 2021/EHP/STL/R01-NOVEMBER 2023