

# SA EH-SA-200-100

## SOUND ATTENUATORS



EH-SA-200-100  
Sound Attenuators with AMCA Seal

**e.h.price** | Gulf

# Sound Attenuators

E.H Price Gulf is pioneer in manufacturing Sound Attenuator.

Rectangular and Circular Sound Attenuator and designed to reduce the Noise in commercial, industrial and residential buildings.

**Features:**

- Highly effective at low, medium and high frequency.
- E.H Price Gulf Sound Attenuator are Test and Certified as per ASTM E-477 for prefabricated Sound Attenuator and will bear the AMCA seal.
- E.H Price Gulf Sound Attenuator are tested and certified as per EN 13631:2012 , for fire rating of 2 Hrs @ 400 C.

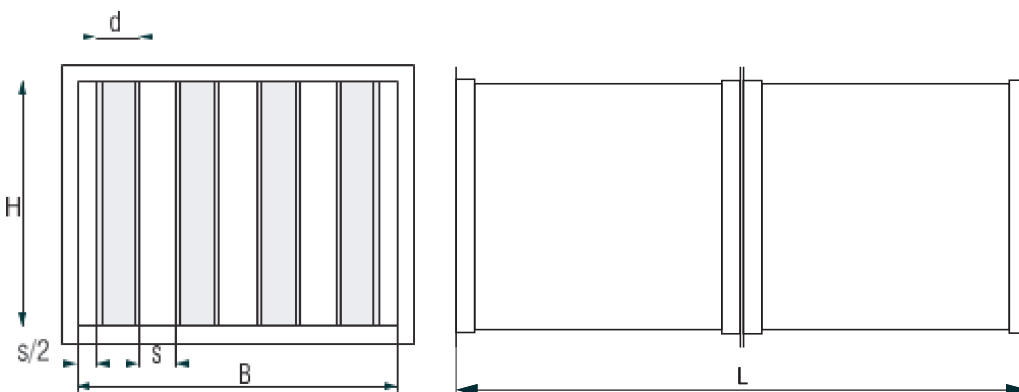


**Frame:** Frame is manufactured from High quality galvanized steel as per ASTM A 653, Lock forming quality, Z-275 GSM with thickness ranging from 0.90 mm to 1.60 mm as per project and customer requirement. Frame is joined with Flanges either by Spot weld, Rivet or Fully welded construction. Flange thickness and size will vary as per the size of Attenuator following DW144 and SMACNA standard.

**Splitter:** Splitter is manufactured from 0.90 MM galvanized steel sheet as per ASTM A 653, Lock Forming quality, Z-275 GSM. Splitter contain the high quality, incombustible acoustic insulation having flame spread index less than 25 and Smoke spread index less than 50. Insulation is covered with black glass tissue to prevent particle migration. Both size of splitter is protected with 0.70 mm perforated galvanized steel sheet to prevent the damage to insulation and to ensure the long life of attenuator.


## RECTANGULAR ATTENUATOR - EH-SA-200-100

- For sound attenuation in ventilation ducts and ventilated areas
- Aerodynamically shaped sound attenuation splitter reduces drag by 30% (energy savings)
- Sound attenuation splitters are made of flame retardant material, absorption material
- Splitters are constructed in three standard thicknesses:  $d = 100\text{ mm}$ ,  $d = 200\text{ mm}$  and  $d = 300\text{ mm}$
- Rectangular sound attenuators are available in five standard cross-section dimensions:  $d/s = 100/50$ ;  $100/100$ ;  $200/100$ ;  $200/200$  and  $300/100$
- Attenuator casing is made of galvanized steel, fitted with flanges.



# SA EH-SA-200-100 Sound Attenuators


## Dynamic Insertion Loss Rating – Forward Flow (+) / Reverse Flow (-):

Model Dimensions (W x H x L)	Face Velocity		Static Pressure		Octave Band Center Frequency (Hz)							
	(fpm)	(m/s)	(in. wg)	(Pa)	63	125	250	500	1000	2000	4000	8000
(W24in. x H24in. x L36in.) (W600mm x H600mm x L900mm)   e.h. Price   Gulf (AMCA Certified)	-1500	-7.62	0.59	147	3	9	16	19	19	19	16	13
	-1000	-5.08	0.26	65	3	9	15	19	19	19	16	13
	-500	-2.54	0.07	17	2	9	15	18	19	18	16	14
	0	0	-	-	3	8	14	18	19	19	16	14
	500	2.54	0.07	17	2	8	14	17	18	18	16	14
	1000	5.08	0.26	65	1	7	14	17	18	18	16	14
	1500	7.62	0.59	147	1	6	13	16	18	18	16	14
	2500	12.7	1.04	259	0	5	12	15	16	17	16	14
<b>KSA200/100</b> (W24in. x H24in. x L48in.) (W600mm x H600mm x L1200mm)	-1500	-7.62	0.61	152	4	13	22	34	36	27	20	14
	-1000	-5.08	0.29	71	3	12	22	35	39	31	20	13
	-500	-2.54	0.07	19	3	12	21	35	41	31	20	13
	0	0	-	-	2	10	19	34	40	31	21	15
	500	2.54	0.07	19	1	10	19	32	40	31	22	16
	1000	5.08	0.29	71	1	9	18	31	39	31	22	17
	1500	7.62	0.61	152	0	8	17	30	36	31	22	17
	2000	10.16	1.06	263	1	8	17	27	32	28	22	18
<b>KSA200/100</b> (W24in. x H24in. x L60in.) (W600mm x H600mm x L1500mm)	-1500	-7.62	0.62	155	8	18	28	36	37	30	24	16
	-1000	-5.08	0.3	76	7	17	27	40	41	36	24	16
	-500	-2.54	0.08	21	7	15	26	41	47	37	24	16
	0	0	-	-	4	13	25	39	47	38	25	18
	500	2.54	0.08	21	3	12	24	38	46	38	25	19
	1000	5.08	0.56	76	3	12	23	36	43	37	25	20
	1500	7.62	0.62	155	2	11	22	33	38	35	25	20
	2000	10.16	1.11	275	1	11	20	28	34	30	25	20
<b>KSA200/100</b> (W24in. x H24in. x L72in.) (W600mm x H600mm x L1800mm)	-1500	-7.62	0.67	166	6	19	31	34	36	30	26	17
	-1000	-5.08	0.31	83	5	18	34	38	40	38	27	17
	-500	-2.54	0.09	23	5	17	34	42	51	44	26	17
	0	0	-	-	3	15	33	42	51	44	28	20
	500	2.54	0.15	23	4	14	32	41	51	44	29	21
	1000	5.08	0.60	78	3	13	30	39	45	43	29	22
	1500	7.62	1.34	166	2	13	27	34	39	37	29	22
	2000	10.16	1.19	296	1	12	22	29	34	31	29	23
<b>KSA200/100</b> (W24in. x H24in. x L84in.) (W600mm x H600mm x L2100mm)	-1500	-7.62	0.69	172	8	24	33	37	37	31	28	19
	-1000	-5.08	0.34	85	8	22	35	41	42	40	30	19
	-500	-2.54	0.1	25	7	21	34	50	52	48	30	19
	0	0	-	-	5	18	33	52	51	47	31	22
	500	2.54	0.16	25	3	17	32	50	51	47	32	23
	1000	5.08	0.63	85	3	14	31	42	45	45	32	24
	1500	7.62	1.41	172	2	15	27	35	39	37	32	25
	2000	10.16	1.21	301	2	14	21	28	34	31	31	25
<b>KSA200/100</b> (W24in. x H24in. x L96in.) (W600mm x H600mm x L2400mm)	-1500	-7.62	0.74	183	9	24	32	36	37	30	30	21
	-1000	-5.08	0.51	126	8	23	36	40	41	38	34	21
	-500	-2.54	0.11	27	8	22	37	51	53	52	34	21
	0	0	-	-	5	20	37	53	52	51	35	25
	500	2.54	0.16	27	4	19	35	52	52	51	35	25
	1000	5.08	0.65	126	4	18	34	42	46	47	36	27
	1500	7.62	1.47	183	3	17	27	34	39	37	35	28
	2000	10.16	1.31	325	2	15	21	28	34	30	32	28

Note: The Insertion (IL) is in dB

\* E.H Price Gulf certifies that the silencer shown herein is licensed to bear the AMCA Seal. The ratings shown are based on tests and procedures performed in accordance with AMCA Publication 1011 and comply with the requirements of the AMCA Certified Ratings Program. The AMCA Certified Ratings Seal applies to dynamic insertion loss, airflow generated noise, and pressure drop.

**Generated Sound Power Level - Forward Flow (+) / Reverse Flow (-)**

Model Dimensions (W x H x L)	Face Velocity		Static Pressure		Octave Band Center Frequency (Hz)							
	(fpm)	(m/s)	(in. wg)	(Pa)	63	125	250	500	1000	2000	4000	8000
<b>KSA200/100</b> (W24in. x H24in. x L36in.) (W600mm x H600mm x L900mm)   e.h. Price   Gulf (AMCA Certified)	-2000	-12.7	1.04	259	72	63	59	59	59	66	64	53
	-1500	-7.62	0.59	147	68	60	55	55	57	62	58	47
	-1000	-5.08	0.16	40	61	52	48	50	53	52	44	33
	-500	-2.54	0.07	17	56	46	38	32	28	21	26	23
	500	2.54	0.07	17	58	48	41	37	32	27	26	23
	1000	5.08	0.02	40	59	53	51	51	51	48	42	31
	1500	7.62	0.41	102	64	60	57	58	58	57	54	46
	2500	12.7	1.04	259	79	74	67	69	68	68	68	63
<b>KSA200/100</b> (W24in. x H24in. x L48in.) (W600mm x H600mm x L1200mm)	-1500	-7.62	1.04	259	65	57	55	59	65	69	64	52
	-1000	-5.08	0.54	134	59	50	49	54	57	55	45	35
	-500	-2.54	0.13	33	55	44	37	40	36	24	22	22
	500	2.54	132	33	55	43	38	39	35	24	20	22
	1000	5.08	0.54	134	59	52	49	52	54	50	43	31
	1500	7.62	0.61	152	67	63	58	59	61	60	56	48
<b>KSA200/100</b> (W24in. x H24in. x L60in.) (W600mm x H600mm x L1500mm)	-1500	-7.62	0.62	155	65	55	55	59	64	67	67	54
	-1000	-5.08	0.31	76	59	48	49	53	57	56	47	36
	-500	-2.54	0.08	21	56	43	37	41	39	28	21	22
	500	2.54	0.08	21	60	47	39	39	35	25	20	22
	1000	5.08	0.03	76	62	52	49	51	52	48	42	30
	1500	7.62	0.62	155	67	62	58	58	60	60	56	48
<b>KSA200/100</b> (W24in. x H24in. x L72in.) (W600mm x H600mm x L1800mm)	-1500	-7.62	0.67	166	66	57	57	60	65	67	65	53
	-1000	-5.08	0.31	78	61	49	51	55	58	57	47	37
	-500	-2.54	0.09	23	62	45	36	40	35	24	21	22
	500	2.54	0.09	23	61	47	37	39	35	25	20	22
	1000	5.08	0.03	78	58	52	48	51	52	48	42	29
	1500	7.62	0.31	166	66	63	58	58	60	60	56	48
<b>KSA200/100</b> (W24in. x H24in. x L84in.) (W600mm x H600mm x L2100mm)	-1500	-7.62	0.69	172	64	54	54	58	64	67	67	63
	-1000	-5.08	0.34	85	61	49	50	54	58	57	47	37
	-500	-2.54	0.1	25	56	44	37	42	39	28	21	22
	500	2.54	0.1	25	57	45	38	38	34	24	21	22
	1000	5.08	0.14	35	60	54	50	51	52	48	42	30
	1500	7.62	0.69	172	66	64	60	59	60	60	56	48
<b>KSA200/100</b> (W24in. x H24in. x L96in.) (W600mm x H600mm x L2400mm)	-1500	-7.62	0.74	183	65	55	56	60	64	68	67	55
	-1000	-5.08	0.35	88	59	50	51	54	58	59	49	40
	-500	-2.54	0.11	27	56	44	37	41	37	26	20	22
	500	2.54	0.11	27	60	47	38	38	34	24	20	22
	1000	5.08	0.35	88	62	55	50	52	53	50	44	32
	1500	7.62	0.74	183	67	64	59	59	60	60	56	49
2000	10.16	1.31	325	73	72	67	66	65	67	65	59	

\* E.H Price Gulf certifies that the silencer shown herein is licensed to bear the AMCA Seal. The ratings shown are based on tests and procedures performed in accordance with AMCA Publication 1011 and comply with the requirements of the AMCA Certified Ratings Program. The AMCA Certified Ratings Seal applies to dynamic insertion loss, airflow generated noise, and pressure drop.

**Face Area Adjustment Factors:**

For given face areas, add or subtract the relevant values from all Octave band frequencies to adjust airflow generated sound power levels.

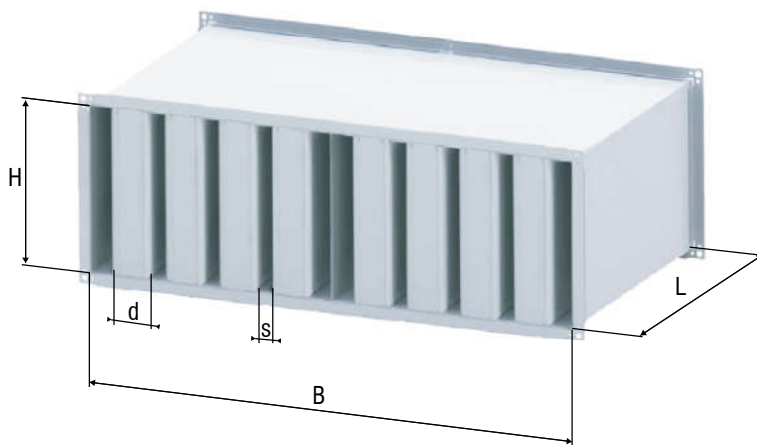
Face Area (sq. ft.)	0.5	1	2	4	8	16	32	64	128	256
Adjustment Factor (dB)	-9	-6	-3	0	3	6	9	12	15	18

Attenuator Length		Static Pressure Drop															
(ft)	(mm)																
1	900	(in.wg)	0.04	0.05	0.07	0.10	0.16	0.23	0.26	0.34	0.42	0.51	0.59	0.73	0.84	0.92	1.04
		(Pa)	9	13	17	25	40	53	65	85	106	127	147	175	210	230	259
2	1200	(in.wg)	0.04	0.06	0.08	0.11	0.18	0.23	0.29	0.39	0.41	0.53	0.61	0.76	0.90	0.99	1.06
		(Pa)	11	15	19	27	44	56	71	96	122	132	152	188	223	246	263
3	1500	(in.wg)	0.04	0.06	0.08	0.12	0.19	0.24	0.31	0.41	0.52	0.56	0.62	0.79	0.99	1.11	1.11
		(Pa)	11	15	21	29	47	59	76	101	128	139	155	196	246	275	275
4	1800	(in.wg)	0.06	0.06	0.09	0.13	0.21	0.25	0.31	0.45	0.54	0.58	0.67	0.82	1.04	1.15	1.19
		(Pa)	15	16	23	32	51	62	78	111	135	143	166	205	258	286	296
5	2100	(in.wg)	0.06	0.07	0.1	0.14	0.22	0.26	0.34	0.47	0.57	0.61	0.69	0.87	1.06	1.17	1.21
		(Pa)	15	18	25	35	55	65	85	118	142	152	172	216	264	290	301
6	2400	(in.wg)	0.07	0.08	0.11	0.15	0.25	0.29	0.35	0.51	0.62	0.65	0.74	0.9	1.16	1.25	1.31
		(Pa)	18	19	27	37	61	71	88	126	155	161	183	224	288	311	325
Face Velocity		(fpm)	250	375	500	625	750	875	1000	1125	1250	1375	1500	1625	1750	1875	2000
	(m/s)	1.27	1.91	2.54	3.17	3.81	4.45	5.08	5.72	6.35	6.99	7.62	8.26	8.89	9.53	10.16	

**Connecting more attenuators**

- Sections of the attenuator are connected with built-in flanges and bolts
- Contact flange surfaces can be additionally fixed by reinforcement holders
- Prior to attenuator delivery, sections of each Attenuator are assembled and disassembled in the factory.

Connection Along Width



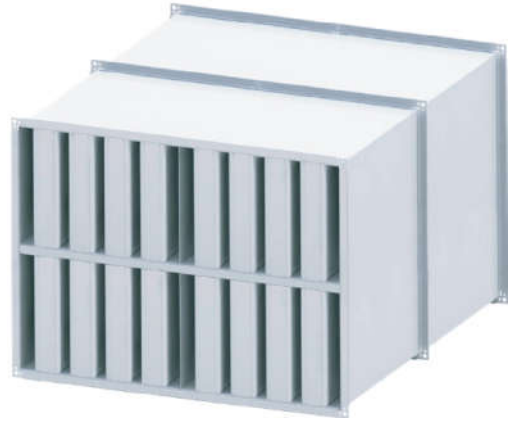
Connection Along Length



Connection Along Height



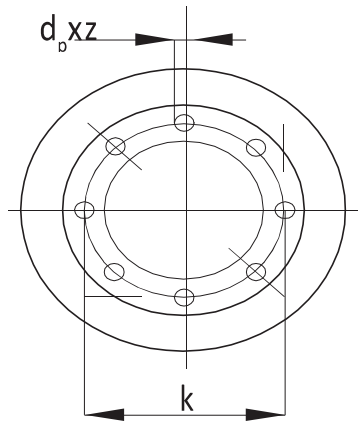
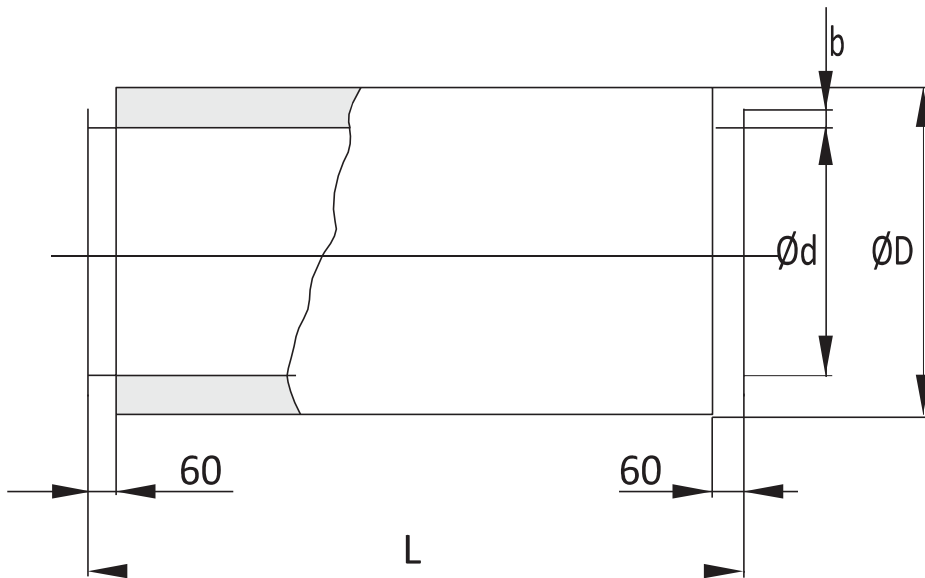
Four and Eight Sectional Attenuator



### ROUND SOUND ATTENUATORS (EH-SA-C)

E.H PRICE Gulf Sound Attenuator (EH-SA-C) is mainly used to reduce FCU and AHU noise to obtain the required noise Level. Round Sound Attenuator offers many advance features including as standard, Aerodynamic pod, side liners, Flanges and protective acoustic infill with galvanized perforated sheet metal.





Dimensions of interspace sound attenuator			
Standard size $\varnothing d$ [mm]	$\varnothing d-2$ [mm]	$\varnothing D$ [mm]	Lengths $L$ [mm]
100	98	200	L=500,1000, 1500
125	123	225	
160	158	260	
200	198	300	
250	248	350	
300	298	400	
315	313	415	



Product Improvement is a continuing endeavour at Price. Therefore, specifications are subject to change without notice. Consult your Price Sales Representative for current specifications or more detailed information. Not all products may be available in all geographic areas. All goods described in this document are warranted as described in the Limited Warranty shown at [priceindustries.com](http://priceindustries.com). The complete Price product catalog can be viewed online at [priceindustries.com](http://priceindustries.com).